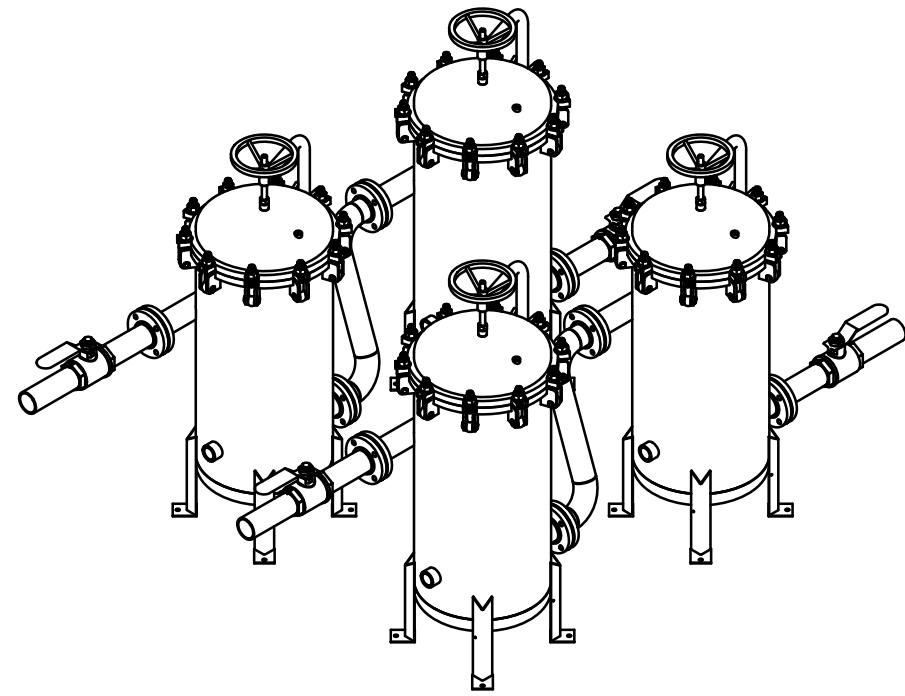
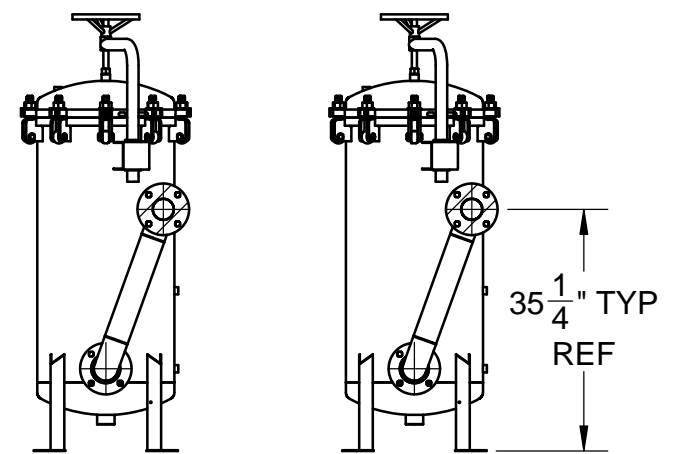
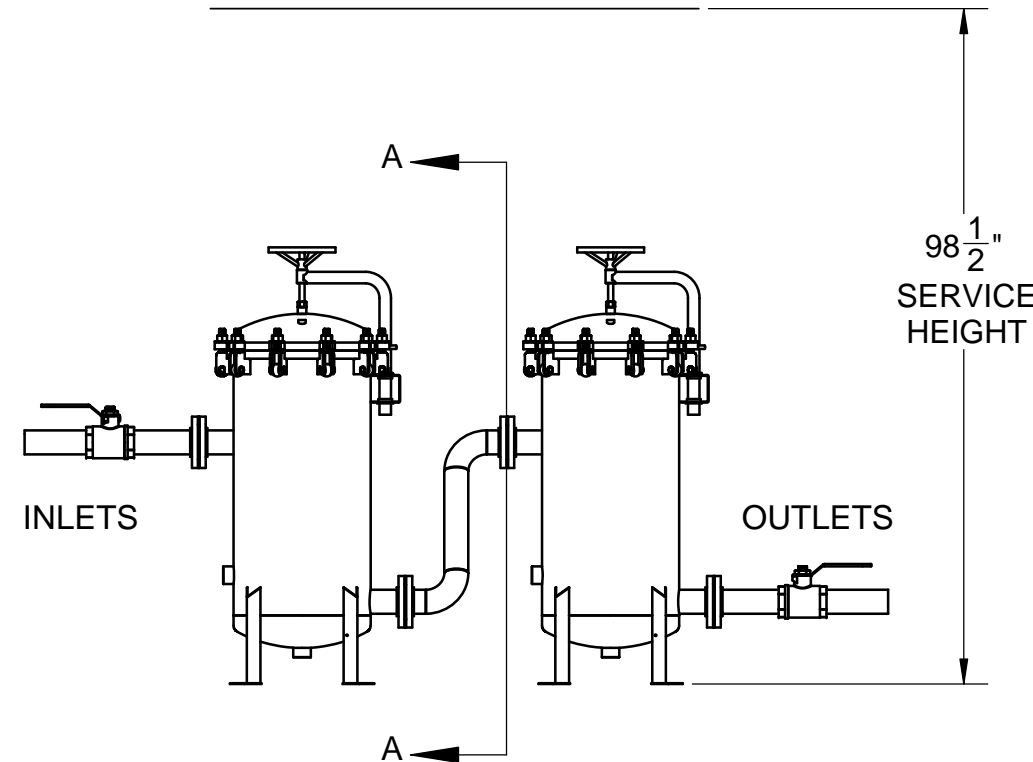
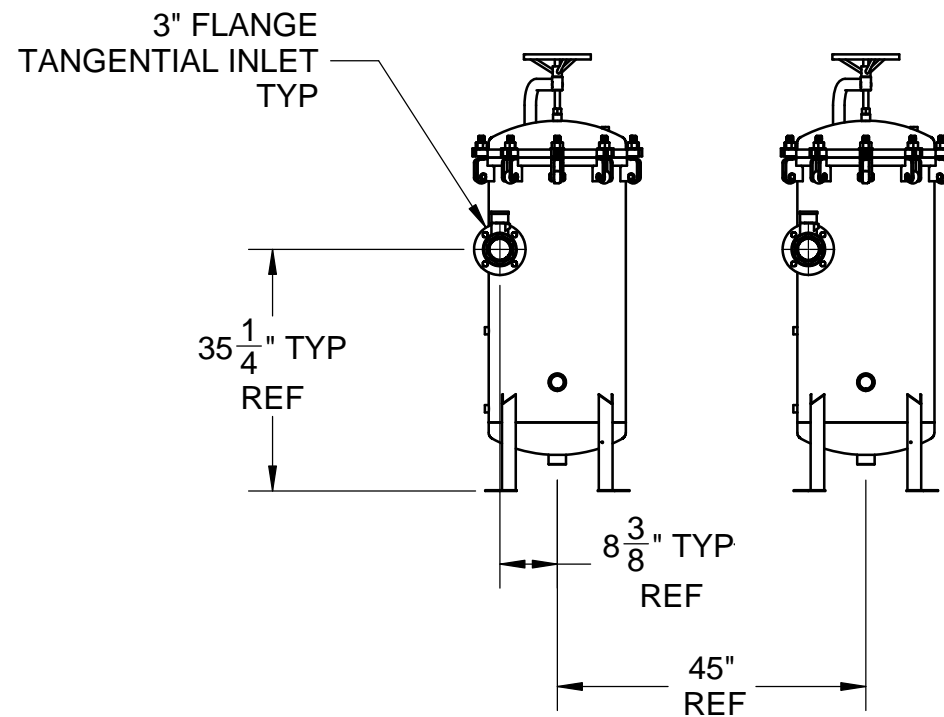
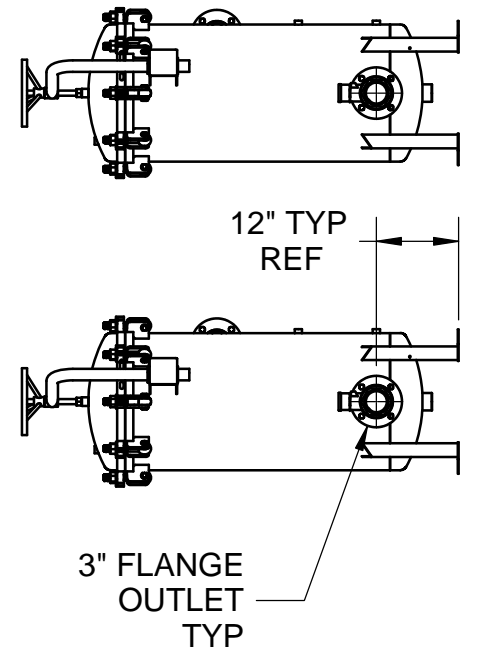
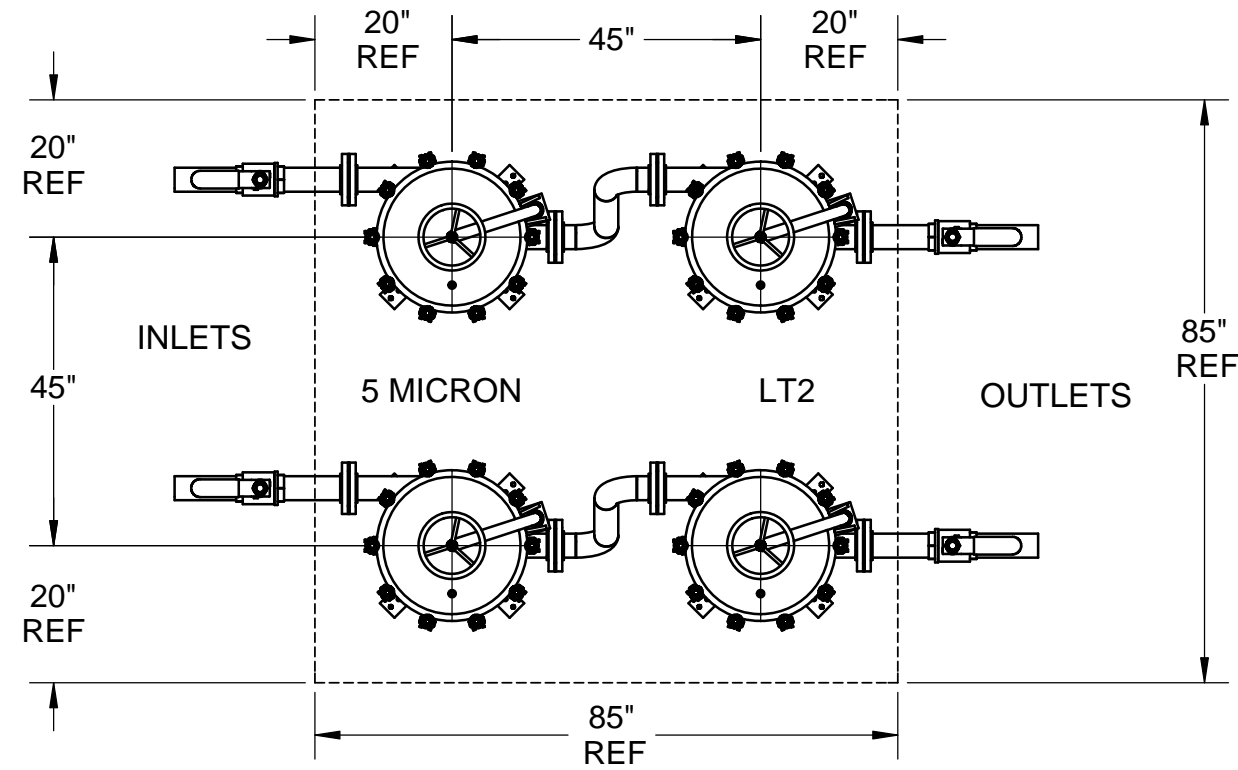


REVISIONS			
REV.	DESCRIPTION	DATE	APPROVED



ISOMETRIC VIEW



SECTION A-A

APPROVALS	DATE
DRAWN RS	11-3-14
APPROVED	
UNLESS OTHERWISE SPECIFIED DIMENSIONS ARE IN INCHES TOLERANCES ARE:	
FRACTIONS	DECIMALS
+/- 1/32	+/- .010
ANGLES	+/- 30'
DRAWN ON CAD DO NOT SCALE	

<p>HARMSCO INC. P.O. BOX 14066 N. PALM BEACH, FL</p>		SCALE	PART NO.
		"1:28"	
2 STAGE DUAL PATH SYSTEM MUNI-3-3FL, QTY 4			